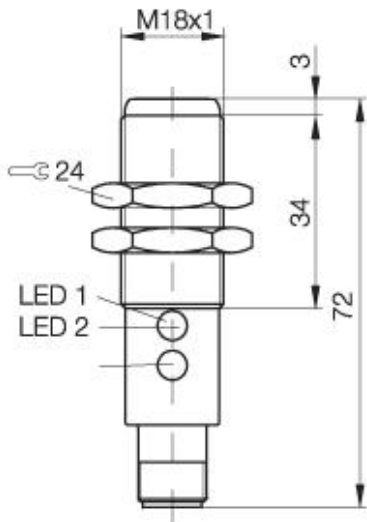


Photoelectric Sensor
BLE 18M-PU-1PP-S 4-C
Sn=16000mm
through-beam



PX1401a

Common Data

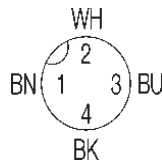
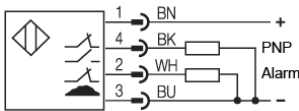
Series	18M
Sensortype	through-beam
Switching frequency	500 Hz
Rated operating distance Sn in mm	16000
asured operating distance Sa	adjustable
Indication Supply Voltage	no
Indication Switching element on	yes
Indication Special funktion	Contamination indicator
Ambient temperature	-15...+55°C
On-delay	1ms
Off-delay	< 5ms
Light	Infrared
Sensitivity Adjustment	Teach in
Permissible ambient light	5000 Lux
Output function	light-on or dark-on

Mechanical Data

Measurements	M18x72
Housing material	nickel plated brass
Material of sensing face	PMMA
Degree of protection	IP67
Connection	Connector S4 (M12)
Weigth	65g
Recommended connector	BKS-S20-8

Electrical Data

Current	DC
Switching function	switchable
Output	PNP
Rated operational voltage Ue	24V DC
Rated operational current Ie	200mA
Supply Voltage	10...30V DC
Ripple	< 10% from UB
Frequency of Supply Voltage	DC
No-load supply current	<25mA
Voltage drop	<2,5V
Short protection	yes
Protected against polarity reversal	yes
Rated insulation voltage	75V DC
Output resistance	33kOhm
max. Load capacity	0,5µF



Utilization categories
 Insulation class

Datasheet number:

Definitions see general catalog.
 If not otherwise noted, ratings according to
 IEC 60947-5-2 (DIN EN60947-5-2)

Balluff GmbH
 Schurwaldstrasse 9
 73765 Neuhausen a.d.F.
 Phone (07158) 173-0 Fax (07158) 5010

Datenblatt by CD-ROM - 04/2007

BALLUFF
 sensors worldwide